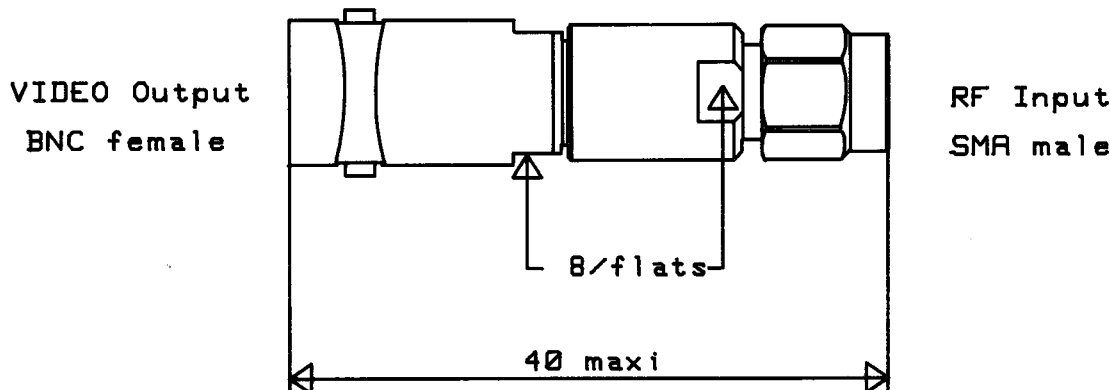




TITLE WIDE BAND COAXIAL DETECTOR

LTR. A

DRAWING:



General tolerances: ± 0.5 mm

ELECTRICAL CHARACTERISTICS:

IMPEDANCE	:	50 Ω
FREQUENCY RANGE	:	0.01 - 18 GHz
V.S.W.R. (0.01 - 8 GHz)	:	<= 1.35
(8 - 18 GHz)	:	<= 1.50
SENSITIVITY LOW LEVEL P _E < - 20 dBm	:	> 500 mV / mW
HIGH LEVEL P _E = 0.35 mW.	:	> 100 mV / mW
TANGENTIAL SENSITIVITY	:	- 44 dBm
FREQUENCY RESPONSE (0.01 - 12.4 GHz)	:	± 0.5 dB
(0.01 - 18 GHz)	:	± 1 dB
OUTPUT VIDEO IMPEDANCE (Typical)	:	1 kΩ
VIDEO CAPACITY (Typical)	:	20 pF
MAXIMUM POWER (CW)	:	200 mW maxi.
POLARITY	:	Negative
DIODE	:	``ZERO BIAS``SCHOTTKY

MECHANICAL CHARACTERISTICS:

CONNECTORS	RF INPUT	:	SMA m per MIL C 39012
	VIDEO OUTPUT	:	BNC f per MIL C 39012
WEIGHT	MAXIMUM	:	15 grams

ENVIRONMENTAL CHARACTERISTICS:

OPERATING TEMPERATURE RANGE	:	- 65°C + 120°C
STORAGE TEMPERATURE RANGE	:	- 65°C + 125°C
GUARANTEED PERFORMANCES	:	- 25°C + 70°C

PEN	QUALITY Dpt App.		LTR	REVISIONS	DATE	APP.
PAGE 1 / 1	DATE 08/03/89	NAME PAMPIGLIONE	LTR	REVISIONS	DATE	APP.